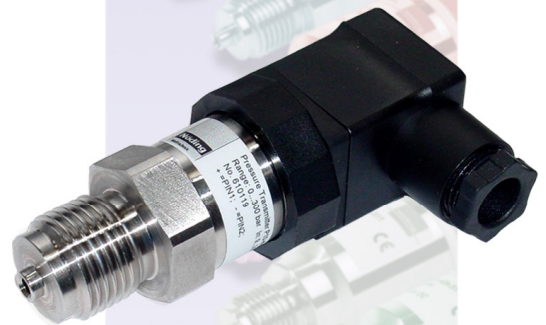


- Dry ceramic sensor
- Ranges from 250 mbar up to 250 bar
- Accuracy:  $\leq 0.5\%$
- compact and rugged design
- For large variety of applications
- Multiple process connections
- Different electrical connections
- Analog output: 4...20 mA, 2-wire  
0.5...4.5 V, 0...5 V, 0...10 V, 3-wire



## Pressure Transmitter P 10

### Technical data:

Pressure range:	0...250 mbar up to 0...250 bar -1...0 bar up to -1...25 bar
Output signal:	4...20 mA, 2-wire, 0.5...4.5 V, 0...5 V, 0...10 V, 3-wire
Accuracy:	$\leq \pm 0,5\%$ FS @ 25°C
Response time:	200 ms (other on request)
Power supply:	9...30V DC, 20 mA/5 V output 5V DC, 0.5...4.5 V output 15...30V DC, 10V output
Ambient temperature:	-25...80 °C
Process temperature:	-25...100 °C
Temperature coef.:	$\leq \pm 0.03\%$ FS/K (zero) $\leq \pm 0.02\%$ FS/K (span)
Long term stability:	$\leq \pm 0.5\%$ FS p. a.
Process connection:	stainless steel 1.4404 (316L)
Sensor:	ceramic AL <sub>2</sub> O <sub>3</sub>
Electrical connection:	connector EN 175301-803A, IP67 Quickon-Connector, IP 67 connector M12x1, IP 67 cable connection, IP67

**Nöding**

Meßtechnik

Range	Gauge	Overload (bar)
-1...0 bar (*)	D4	4
-1...0.6 bar	D5	4
-1...1 bar	D6	4
-1...1.5 bar	D7	4
-1...3 bar	D8	10
-1...5 bar	D9	10
-1...9 bar	E1	40
-1...15 bar	E2	40
-1...19 bar	E3	40
0...250 mbar (*)	02	1
0...400 mbar	03	1
0...500 mbar	B7	2
0...600 mbar	04	2
0...1 bar	05	4
0...1.6 bar	06	4
0...2 bar	B3	4
0...2.5 bar	07	10
0...4 bar	08	10
0...5 bar	F1	10
0...6 bar	09	20
0...10 bar	10	40
0...16 bar	11	40
0...20 bar	B5	40
0...25 bar	12	100
0...40 bar	13	100
0...50 bar	F3	100
0...60 bar	14	200
0...100 bar	15	200
0...160 bar	16	400
0...200 bar	F5	400
0...250 bar	17	600

(\*) accuracy 1% Absolute pressure on request

**Output signal**

- 1 0...10 V 3-wire
- 4 4...20 mA 2-wire
- 8 0...5 V 3-wire
- A 0.5...4.5 V 3-wire, ratio-metric

**Ranges**

Measurement range-see table  
99 non-standard range (on request)

**Prozessconnect and Material**

- D G 1/4 A DIN 3852 1.4404
- DN 1/4-18 NPT 1.4404
- 2 1/2-14 NPT 1.4404
- 3 G 1/2 B DIN 16288 1.4404
- G G 1/2 A u. 11.6 mm bore hohle 1.4404
- 9 others (on request)

**Sensor seal**

- 1 FPM (Viton) Standard
- 2 NBR (Nitril)
- 3 EPDM-Kautschuk
- 5 Chemraz 505
- 9 others (on request)

**Electrical connection**

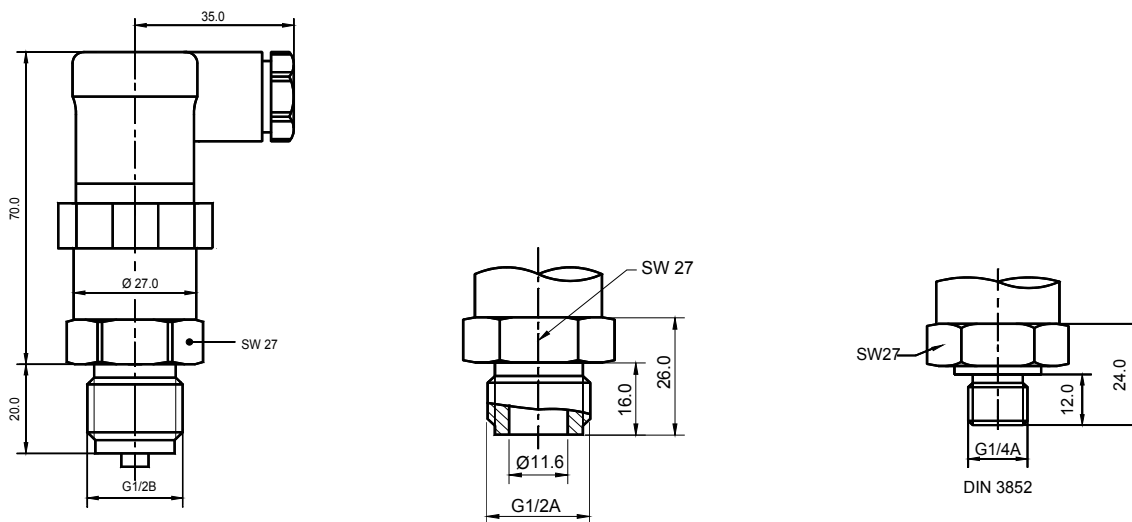
- 0 5m cable connection, IP 67
- 1 Connector EN 175301-803A IP 67
- 6 2m cable connection, IP 67
- A Connector M12x1, IP 67
- F Quickon-Connector, IP 67
- H 10m cable connection, IP 67
- 9 others (on request)

**Option model**

- 0 without pottet electronic
- 1 pottet electronic

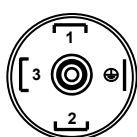


**Dimensions (mm)**



**Electrical connections**

**Connector EN 175301-803A**



- 4...20 mA 2-wires
- PIN1 Signal +
- PIN2 Signal -
- 0...10V 3-wires
- PIN1 in +
- PIN2 in -
- PIN3 out +

**Quickon-Connector**



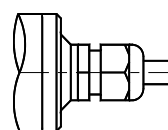
- 4...20 mA 2-wires
- PIN1 Signal +
- PIN2 Signal -
- 0...10V 3-wires
- PIN1 in +
- PIN2 in -
- PIN3 out +

**M12x1, 4-pin Connector**



- 4...20 mA 2-wires
- PIN1 Signal +
- PIN3 Signal -
- 0...10V 3-wires
- PIN1 in +
- PIN3 in -
- PIN4 out +

**Cable connection**



- 4...20 mA 2-wires
- red Signal +
- black Signal -
- 0...10V 3-wires
- red in +
- black in -
- white out +

Modifications reserved without notice 11.11