

- Connection with dry and flush ceramic sensor
- Ranges from 500 mbar up to 40 bar
- Accuracy  $\leq 0.5\%$
- Compact and rugged design
- Easy on-site configuration via DIP switches
- Analog output: 4...20 mA, 3-wire
- Contact output: DC PNP, max. 200 mA



## Pressure switch PR 20

### Technical data:

Range:	0...500 mbar up to 0...40 bar -1...5 bar up to -1...25 bar
Analog output:	4...20 mA, 3-wire
Switch output:	DC PNP, max. 200 mA
Accuracy:	$\leq \pm 0.5\%$ FS @ 25°C
Response time:	60 ms
Power supply:	19...30V DC
Ambient temperature:	-25...85 °C
Process temperature:	-25...100 °C
Temperatur coefficient:	$\leq \pm 0.03\%$ FS/K (zero) $\leq \pm 0.02\%$ FS/K (span)
Long term stability:	$\leq \pm 0.5\%$ FS p. a.
Process connection:	G 1/2", 1.4404 (316L)
Housing:	stainless steel 1.4301 (304)
Sensor:	ceramic AL <sub>2</sub> O <sub>3</sub>
Protection class:	IP 67
Electrical connection:	cable gland M16x1,5 connector M12x1

**Nöding**

Meßtechnik

## Ranges

Range	Code	Overload (bar)
0...500 mbar / 0...50 kPa (*)	B7	-0.2/2
0...600 mbar / 0...60 kPa	04	-0.2/2
0...1 bar / 0... 100 kPa	05	-0.4/4
0...1.6 bar / 0... 160 kPa	06	-0.4/4
0...2 bar / 0... 200 kPa	B3	-0.4/4
0...2.5 bar / 0... 250 kPa	07	-0.8/10
0...4 bar / 0... 400 kPa	08	-0.8/10
0...5 bar / 0... 500 kPa	F1	-0.8/10
0...6 bar / 0... 600 kPa	09	-1/20
0...10 bar / 0...1 MPa	10	-1/40
0...16 bar / 0...1.6 MPa	11	-1/40
0...20 bar / 0...2 MPa	B5	-1/40
0...25 bar / 0...2.5 MPa	12	-1/40
0...40 bar / 0...4.0 MPa (**)	13	-1/60
-1...5 bar / -100...500 kPa	D9	-1/20
-1...9 bar / -100...900 kPa	E1	-1/40
-1...15 bar / -100...1500 kPa	E2	-1/40
-1...19 bar / -100...1900 kPa	E3	-1/40
-1...25 bar / -100...2500 kPa	E7	-1/40

(\*) Accuracy 1%  
(\*\*) in preparation

Absolutpressure on request

## Ordering code

### Output Signal

3 4...20 mA 3-wire

### Range

Measuring range see table on the left  
99 non-standard range

### Process connection and material

G G 1/2" DIN 3852 1.4404  
S G 1/2" DIN 3852 1.4404  
9 others (on request)

### Sensor Seal

1 FPM (Viton) Standard  
2 NBR (Nitril)  
3 EPDM Kautschuk  
5 Chemraz 505  
9 others (on request)

### Housing

1 Stainless steel 1.4301

### E-connection

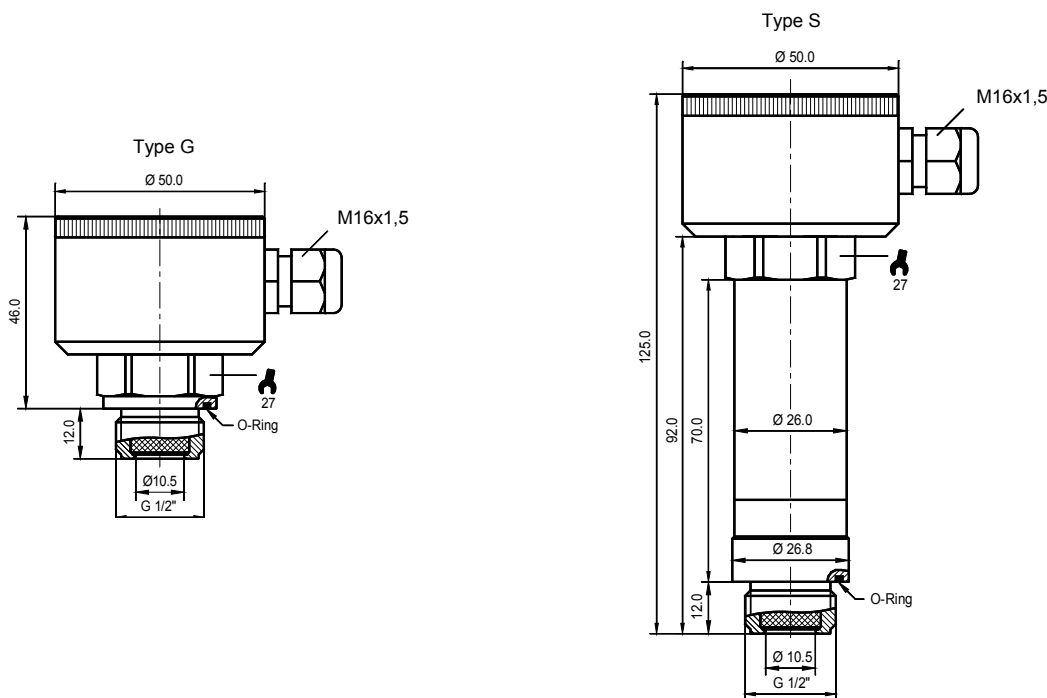
0 M16x1,5  
A Connector M12x1, 4-PIN

### Options

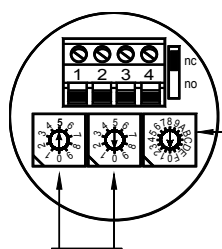
0 without

PR20 - [ ] - [ ] - [ ] - [ ] - [ ]

## Dimension (mm)



## Settings



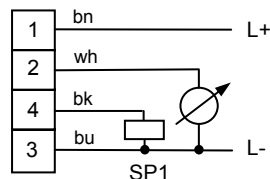
Setpoint modification in %  
for example 50%

nc = normally closed  
no = normally open

Hysteresis adjustment

Function	max.	min.
0	0.5%	8 = 0.5%
1	1%	9 = 1%
2	2%	A = 2%
3	3%	B = 3%
4	4%	C = 4%
5	6%	D = 6%
6	8%	E = 8%
7	10%	F = 10%

## Electrical connections



Modificatons reserved without notice 03.10