

- 22 mm Ø ideal for 1" pipes
- Ranges from 100 mbar to 20 bar
- Accuracy $\leq 0,3\%$
- Ex II 1G EEx ia IIC T4
- Cable according Bg VV-1.12.96-specifications, suitable for food and drinking water
- Optional integrated Pt 100 / Pt 1000 sensor for temperature measurement



Level Transmitter P 135K

Technical data:

Range:	0...100 mbar to 0...20 bar
Output signal:	4...20 mA, 2-wire
Accuracy:	$\leq \pm 0,3\%$ FS @ 25°C
Response time:	200 ms (other available on request)
Supply voltage:	9...30V DC (12...30V Ex-version)
Ambient temperature:	-25...80 °C (-20...70 °C at EEx ia IIC T4)
Temperature coeff.:	$\leq \pm 0,02\%$ FS/K
Long term stability:	$\leq \pm 0,3\%$ FS p. a.
Housing:	stainless steel, 1.4404, IP 68
Weight of probe:	approx. 0,3 kg
Weight of cable:	0,5 kg / 10m
Electrical connection:	PE cable with pressure compensation capillary and filter

Nöding

Meßtechnik

Ranges

range (bar)		range (mH ₂ O)		Overload (bar)
0...100 mbar	00	0...1 mH ₂ O	50	-0,3/4
0...160 mbar	01	0...1,6 mH ₂ O	51	-0,3/4
0...200 mbar	B1	0...2 mH ₂ O	W1	-0,3/4
0...250 mbar	02	0...2,5 mH ₂ O	52	-0,3/4
0...300 mbar	X5	0...3 mH ₂ O		-1/6
0...350 mbar	X1	0...3,5 mH ₂ O		-1/6
0...400 mbar	03	0...4 mH ₂ O	53	-1/6
0...500 mbar	B7	0...5 mH ₂ O	W2	-1/6
0...600 mbar	04	0...6 mH ₂ O	54	-1/10
0...1,0 bar	05	0...10 mH ₂ O	55	-1/10
0...1,6 bar	06	0...16 mH ₂ O	56	-1/15
0...2,0 bar	B3	0...20 mH ₂ O	W3	-1/15
0...2,5 bar	07	0...25 mH ₂ O	57	-1/15
0...4,0 bar	08	0...40 mH ₂ O	58	-1/25
0...5,0 bar	F1	0...50 mH ₂ O		-1/40
0...6,0 bar	09	0...60 mH ₂ O	59	-1/40
0...10 bar	10	0...100 mH ₂ O	60	-1/40
0...16 bar	11	0...160 mH ₂ O	61	-1/40
0...20 bar	B5	0...200 mH ₂ O	W5	-1/40

Ordering code

Output signal

- 4 4...20 mA 2-wire
- E 4...20 mA 2-wire $\text{Ex II 1G EEx ia IIC T4}$
- T 4...20 mA 2-wire, and Pt 100 3-wire
- F 4...20 mA 2-wire, and Pt 1000 3-wire

Range

See table on the left
99 no standard range (on request)

Material housing / sensor seal

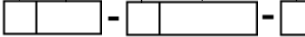
- 1 1.4404 / FPM (Viton)
- 3 1.4404 / EPDM
- S 1.4404 / FPM (Viton) Serto-Screw

Cable cuttable

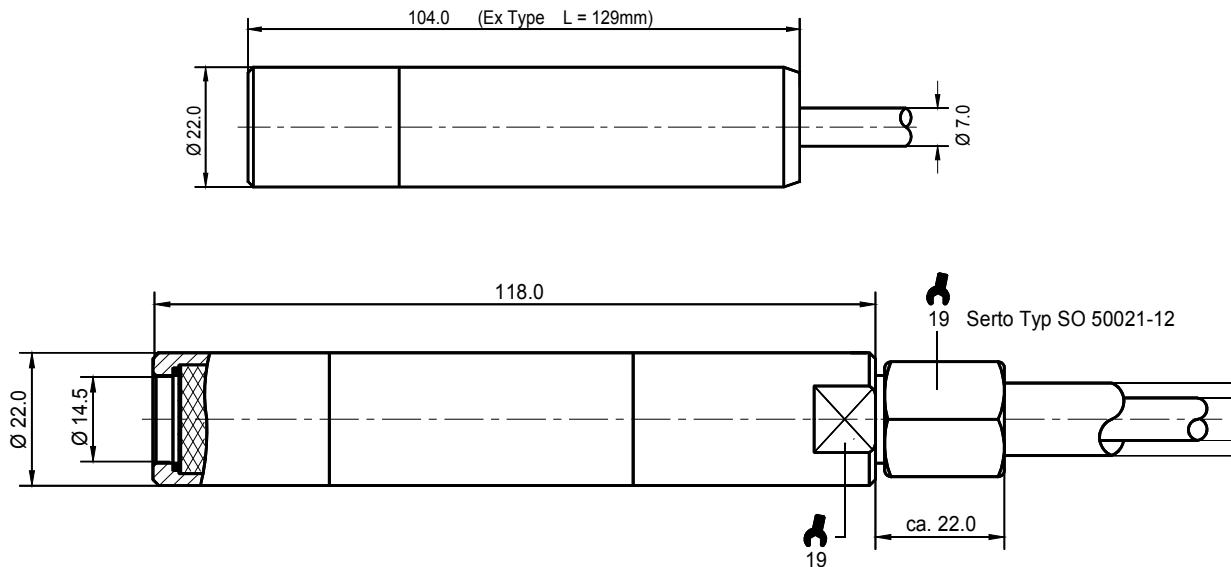
- 002 2m cable
 - 005 5m cable (from 5m only in 5m intervals)
 - 010 10m cable
 - 050 50m cable (from 50m only in 10m intervals)
 - 100 100m cable
- Special lengths quote in meters

Cable material

- 0 PE cable
- 1 FDR 25 cable (Diesel oil resistant)
- 2 PUR cable
- 4 HDPE cable

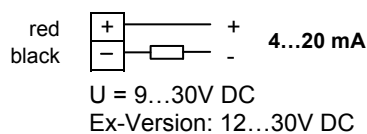
P135K - 

Dimensions (mm)

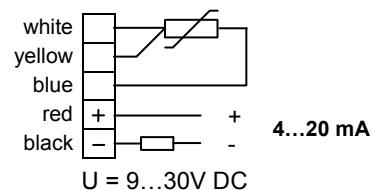


Electrical connections

4...20 mA 2-wire



4...20 mA, 2-wire and Pt 100 / Pt 1000 sensor, 3-wire



For cable lengths > 30m shielded cable is used

Modifications reserved without notice, 02.11