

- Dry ceramic sensor
- Ranges from 25 mbar to 250 bar
- Accuracy $\leq 0,2\%$
- High overload capability
- 2 adjustable switch settings
- Analog output 0(4)...20 mA or 0...10 V



Digital pressure gauge PDM 80-1

Technical data:

Range:	0...25 mbar to 0...250 bar, 12 bit resolution
Display:	0...±1999 counts 14mm red LED
Analog-output:	0(4)...20 mA, max. 500 Ω , switchable, 12 bit resolution, 0...10 V, max. 5 mA
Relay-output:	2 relays, each 1 potential free change-over switch
Switching power:	250V AC, max. 500 VA 125V DC, max. 100 W max. switching current 2 A
Accuracy:	$\leq \pm 0,2\%$ FS @ 25°C
Supply voltage:	19...30V DC
Ambient temperature:	0...60 °C
Fluid temperature:	-40...100 °C (125 °C < 0,5h)
Thermal drift:	$\leq \pm 0,02\%$ FS/K
Housing:	ABS, 100x100x58, IP 65, colour grey, RAL 7035
Sensor:	ceramic AL ₂ O ₃

Nöding

Meßtechnik

Ranges

range	gauge	absolut	overload (bar)
0...25 mbar*	A7		- 0,3 / 4
0...40 mbar*	A8		- 0,3 / 4
0...60 mbar*	A9		- 0,3 / 4
0...100 mbar	00		- 0,3 / 4
0...160 mbar	01		- 0,6 / 5
0...200 mbar	B1	B2	- 1 / 6
0...250 mbar	02	27	- 1 / 6
0...0,4 bar	03	28	- 1 / 6
0...0,6 bar	04	29	- 1 / 10
0...1 bar	05	30	- 1 / 10
0...1,6 bar	06	31	- 1 / 18
0...2 bar	B3	B4	- 1 / 18
0...2,5 bar	07	32	- 1 / 18
0...4 bar	08	33	- 1 / 25
0...6 bar	09	34	- 1 / 40
0...10 bar	10	35	- 1 / 40
0...16 bar	11	36	- 1 / 40
0...20 bar	B5	B6	- 1 / 40
0...25 bar	12	37	- 1 / 40
0...40 bar	13	38	- 1 / 60
0...60 bar	14	39	- 1 / 100
0...100 bar	15	40	- 1 / 250
0...160 bar	16	41	- 1 / 400
0...250 bar	17	42	- 1 / 600
-100...0 mbar	C4		- 0,3 / 4
-100...100 mbar	C5		- 1 / 6
-200...200 mbar	D3		- 1 / 6
-1...0 bar	D4		- 1 / 6
-1...0,6bar	D5		- 1 / 10
-1...1 bar	D6		- 1 / 10
-1...1,5bar	D7		- 1 / 18
-1...3 bar	D8		- 1 / 25
-1...5 bar	D9		- 1 / 40
-1...9 bar	E1		- 1 / 40
-1...15 bar	E2		- 1 / 40
-1...19 bar	E3		- 1 / 40

* Global error 0,5% F.S. ** On request

Ordering code

Measuring input

1 1 Measuring input

Output signal

1 0...10 V 3-wire
5 0(4)...20 mA 3-wire

Range

See table on the left
99 Special range

Process connection and material

2 ½ - 14 NPT, 1.4404
3 G ½ A, DIN 16288, 1.4404
G G ½ A and 11,8mm pressure port, 1.4404
F G 1 A, 1.4404
5 G 1 ½ A, 1.4404
M Dairy thread ND 25 DIN 11851, 1.4404
6 Dairy thread ND 32 DIN 11851, 1.4404
7 Dairy thread ND 40 DIN 11851, 1.4404
8 Dairy thread ND 50 DIN 11851, 1.4404
J Varivent DN 68, 1.4404
9 other (on request)

Sensor seal

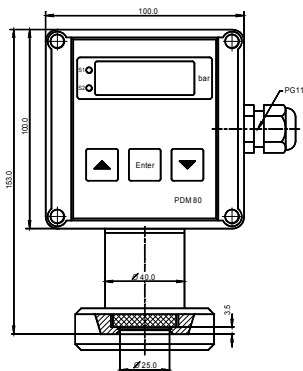
1 FPM (Viton) Standard
2 NBR (Nitril)
3 EPDM
4 Fluor-Silicon
5 Kalrez
9 other (on request)

Relay output

0 no relay
1 1 relay
2 2 relays

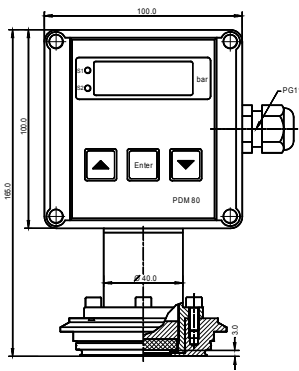
PDM 80 — 1 —

Dimensions (mm)



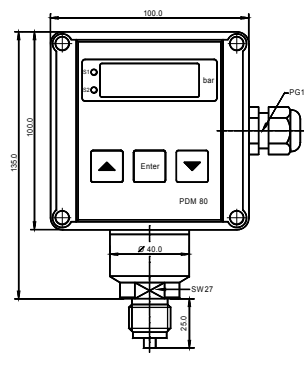
Dairy thread ND 32

Ranges:
from 25 mbar to 40 bar



Varivent DN 68

Ranges:
from 25 mbar to 40 bar



G ½ A

Ranges:
from 25 mbar to 250 bar

Electrical connections

1	+ 24 V] Supply voltage 19...30V DC
2	-	
3	PE	
4	+ Output 0(4)...20 mA / 0...10 V	
5		
6		Relay output S 1
7		
8		Relay output S 2
9		
10		

Modifications reserved without notice, 02.10